

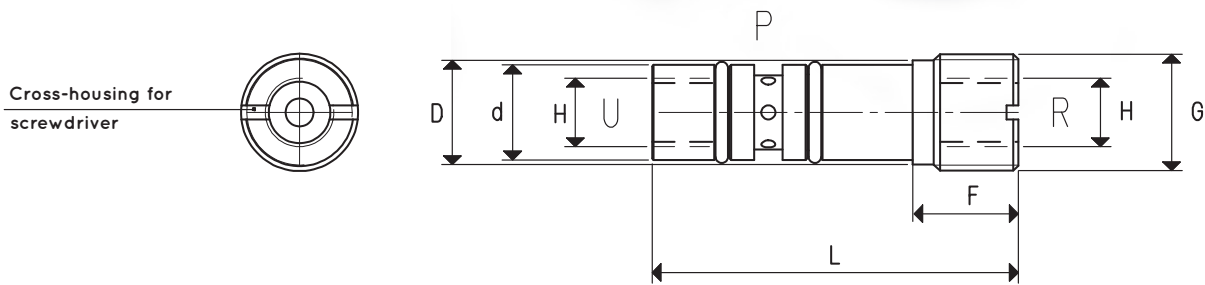


CARTRIDGE VACUUM GENERATORS PVR 1 and PVR 4

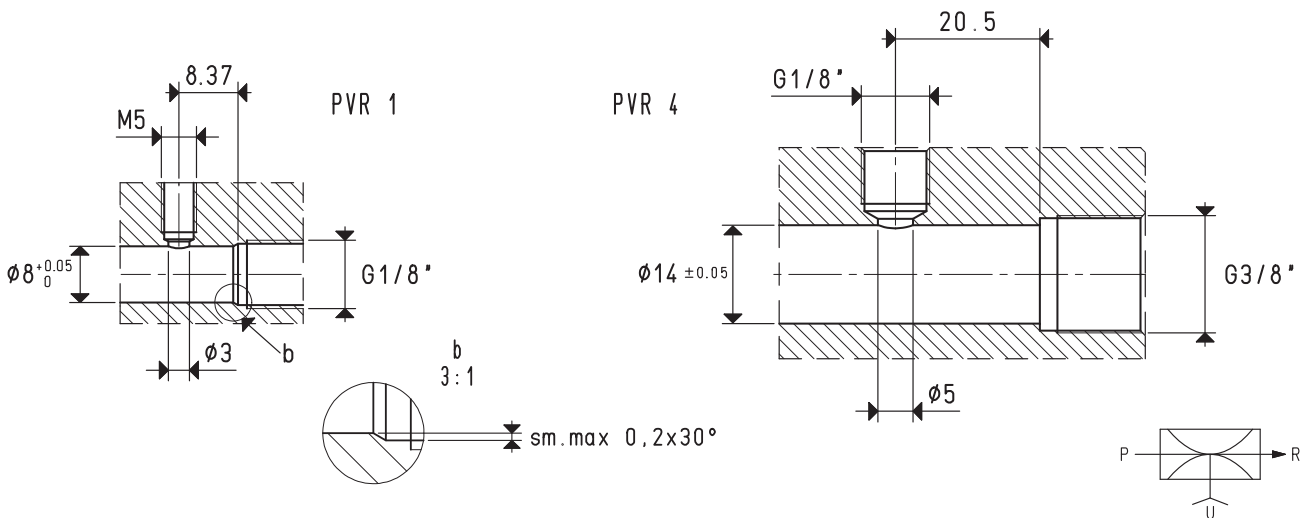
These small cartridge vacuum generators can be integrated directly into the gripping elements of packaging machines. The maximum yield is offered at low compressed air pressures of 2-3 bar, providing levels of vacuums up to -72 KPa and flow rates between 1 and 4 m³/h. Their particular shape permits the suction of dust or small processing residues, without creating clogging problems. They are made as standard in anodised aluminium but can also be supplied in stainless steel, upon request.



3D drawings are available on vuototecnica.net



CREATION OF HOUSING FOR CARTRIDGE INSERTION



P=COMPRESSED AIR CONNECTION R=EXHAUST U=VACUUM CONNECTION

Item		PVR 1			PVR 4	
Intake air flow rate	m³/h	0.6	0.8	0.9	2.7	3.3
Maximum level of vacuum	-KPa	19	41	60	30	72
Final pressure	abs. mbar	810	590	400	700	280
Supply pressure	bar	1	2	3	1	2.5
Air consumption	Nl/s	0.3	0.5	0.6	1.7	2.9
Temperature of use	°C			-10 / +80		-10 / +80
Noise level	dB(A)			68		80
Weight	g			4		16
d	∅			7.8		13.5
D	∅			8.7		14.8
L				26		52
F				9.3		15
G	∅			G1/8"		G3/8"
H	∅			M5		G1/8"

Note: All vacuum values indicated in the table are valid at the normal atmospheric pressure of 1013 mbar and obtained with a constant supply pressure. Vacuum generator supply must be carried out with non-lubricated compressed air, 5 micron filtration, in accordance with standard ISO 8573-1 class 4.

Transformation ratio: N (newton) = Kg x 9.81 (force of gravity)

inch = $\frac{mm}{25.4}$; pounds = $\frac{g}{453.6} = \frac{Kg}{0.4536}$

Adapters for GAS - NPT threading available on page 1.130



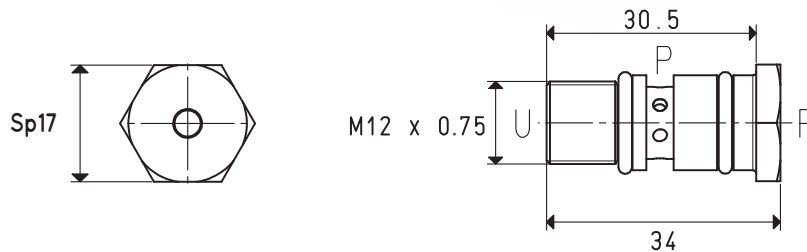
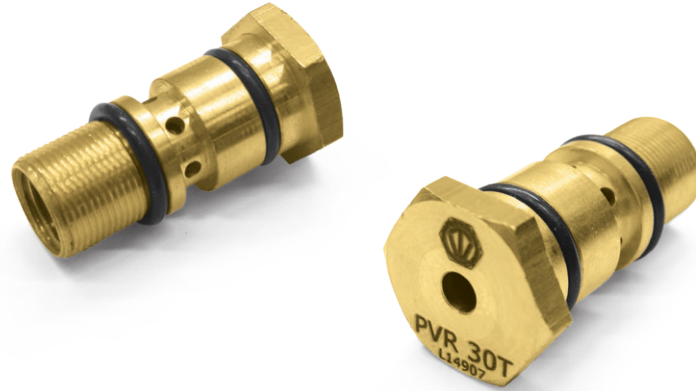
CARTRIDGE VACUUM GENERATOR PVR 3 OT

Also the construction of this cartridge vacuum generator was necessary in order to meet the demand for ever smaller and more performing devices in the packaging sector.

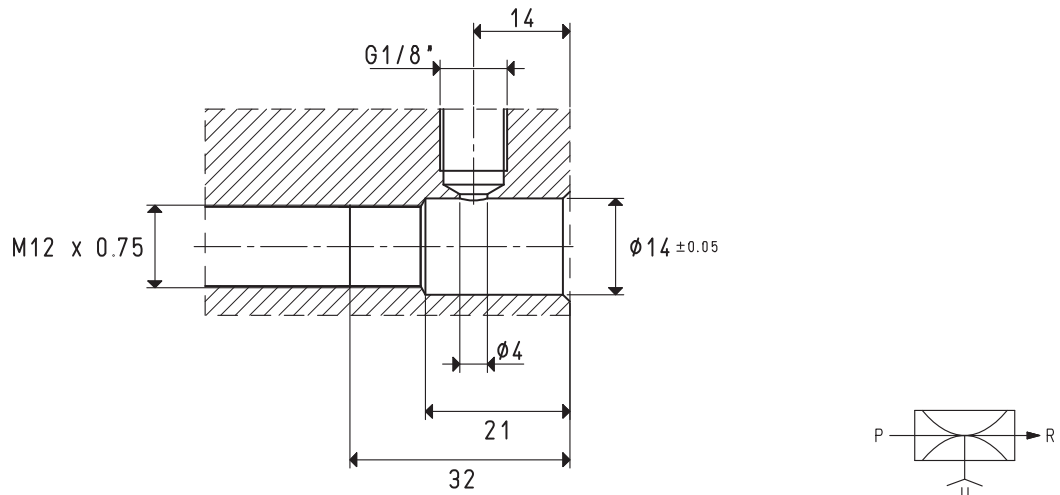
The compressed air supply pressure is between 1 and 3 bar, while the maximum level of vacuum is -52 KPa, with a flow rate of 2.6 m³/h.

Also the shape of these generators, like the previous ones described, allows for the suction of dust and small processing waste without clogging problems.

They are made of brass as standard, but upon request they can also be supplied in different metals.



CREATION OF HOUSING FOR CARTRIDGE INSERTION



Item		PVR 3 OT				
Intake air flow rate	m ³ /h	2.2	2.6	2.6	2	1.6
Maximum level of vacuum	-KPa	21	37	52	50	47
Final pressure	abs. mbar	790	630	480	500	530
Supply pressure	bar	1	2	3	4	5
Air consumption	Nl/s	1.25	1.8	2.4	3.1	3.6
Temperature of use	°C			-10 / +60		
Noise level	dB(A)			78		
Weight	g			60		

Note: All vacuum values indicated in the table are valid at the normal atmospheric pressure of 1013 mbar and obtained with a constant supply pressure.

Vacuum generator supply must be carried out with non-lubricated compressed air, 5 micron filtration, in accordance with standard ISO 8573-1 class 4.